

Customize the Maker Table
with 6 Different Module
Storage Options

See the Modules Spec Sheet for Details

MAKER TABLE SPECIFICATIONS

Makerspaces are collaborative learning environments where people come together to learn new skills, exchange ideas and share resources. They are as unique as the school cultures they represent and require flexible and configurable solutions for working, exploring and discovering. The Explorer Maker Table by Haskell has been designed to meet the demanding needs of these creative environments.

OVERALL DIMENSIONS

84x42x36.5

TOP

Top Dimension

84x42x1.5in

- Solid Birch Butcher Block

BASE

Construction

- Welded Steel Tube
- 50mm O.D., 3mm wall

Foot

Material: Nylon

CASTERS

4 - 4" Locking Directional Total Lock

- High Strength Steel
- TPU Tread, Non-Marking
- Corrosion Resistant
- 300lb load rating (per caster)

POWER (OPTIONAL)

In Surface Power Unit

- Manufacturer : Byrne
- 3 110v Power, 2 USB
- Integrated Circuit Breaker Rating
- 13 amps, 125 volts

Cord (Provided)

- NEMA 5-15, 14 AWG, 3 Conductor,
- 15 Amp, 10 foot

SPECIFICATIONS

Max Load

- TBD

Paint

- Textured Powder coat

MODULE OPTIONS*

4 Module Configuration

- Double Module Configurations
- Double storage
- Double storage with locking doors

- Single Module Configurations

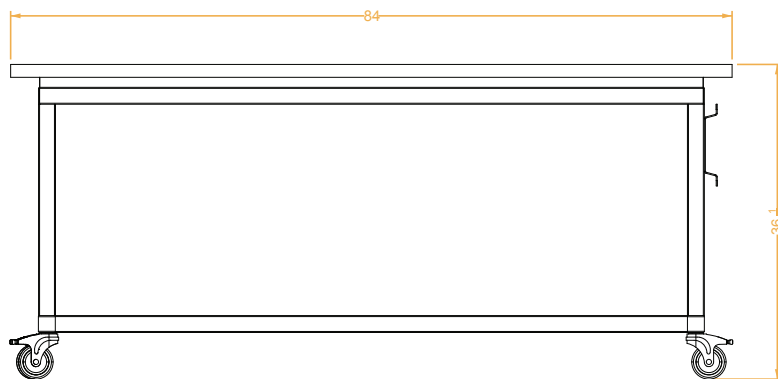
- Single storage
- Single storage with doors
- Bin storage
- Peg board

*Refer to module specifications for more information

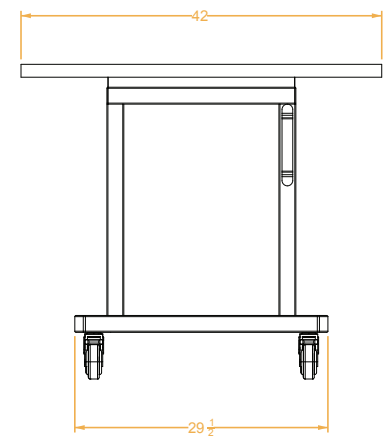
FRAME FINISHES



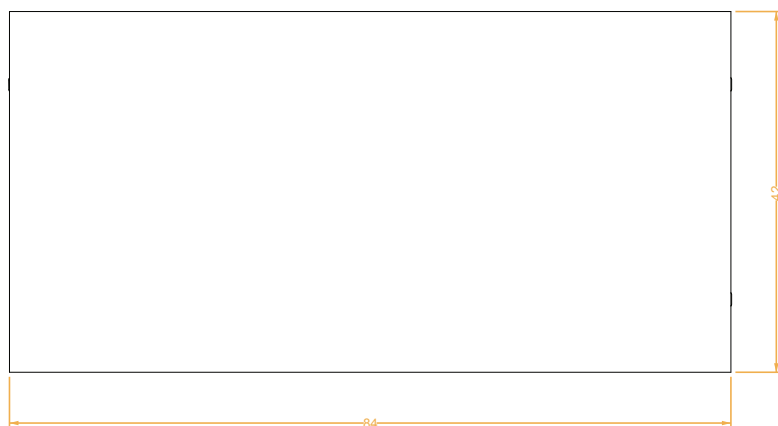
FRONT VIEW



SIDE VIEW



TOP VIEW



SCAN TO
LEARN MORE